

Elos Accurate®









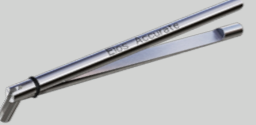










Elos Accurate®		IO Scan Body	Model Analogs		Model Analog Tool	Hybrid Base Engaging		Hybrid Base Non-Engaging		Prosthetic screw for straight channels		Prosthetic screw - hexalobular	Torque
Implant System	Platform	IO	PMA	MA	AT	HBE	HBE-H	HBN	HBN-H	AS	Screwdriver from implant manufacturer	AS hexalobular	Ncm:
		BIO-HORIZONS	BioHorizons Internal	3.0 3.5 4.5	IO 11A-A IO 11A-B IO 11A-C	PMA-BHI30-1 PMA-BHI35-1 PMA-BHI45-1							
	BioHorizons Multi-Unit Abutment	4.5	IO 11B-A	PMA-BHM45-1									
CAMLOG	Camlog®	3.3 3.8 4.3 5.0 6.0	IO 9A-A IO 9A-B IO 9A-C IO9A-D IO9A-D	PMA-CAS33-1 PMA-CAS38-1 PMA-CAS43-1 PMA-CAS50-1 PMA-CAS60-1									
	Camlog® Bar Abutment	3.3-4.3	IO 9B-A	PMA-CBA43-1	MA-CBA43-1	AT-16-1		HBN-CBA43-1				AS-CBAM1604A-1	15 Ncm
	Ankylos®	3.5-7.0	IO 8B-A	PMA-DAN35/70-1	MA-DAN35/70-1	AT-18-1							
	Ankylos Balance Base Abutment	BB NP	IO 8C-A	PMA-DBA40-1	MA-DBA40-1	AT-16-1		HBN-DBA40-1	HBN-DBA40H-1	AS-DBAM1605POS	"0.050" Hex screwdriver	AS-DBAM1605A-1	10 Ncm
	Astra Tech Implant System	3.0 3.5/4.0 4.5/5.0	IO 3A-A IO 3A-B IO 3A-C	PMA-ATO30-1 PMA-ATO35-1 PMA-ATO45-1	MA-ATO30-1 MA-ATO35-1 MA-ATO45-1	AT-14-1 AT-16-1 AT-20-1	HBE-ATO30-1 HBE-ATO35/40-1 HBE-ATO45/50-1			AS-ATOM148POS AS-ATOM168POS AS-ATOM2010POS	"0.050" Hex screwdriver	AS-ATOM1408A-1 AS-ATOM1608A-1 AS-ATOM2010A-1	15 Ncm 20 Ncm 25 Ncm
	Astra Tech UniAbutment	20° 45°	IO 3D-B IO 3D-C	PMA-ATU20-1 PMA-ATU45-1	MA-ATU20-1 MA-ATU45-1	AT-14-1		HBN-ATU20-1 HBN-ATU45-1	HBN-ATU20H-1			AS-ATUM1405A-1	15 Ncm
DENTSPLY SIRONA	Astra Tech Implant System EV	3.0 3.6 4.2 4.8 5.4	IO 3B-A IO 3B-B IO 3B-C IO 3B-D IO 3B-E	PMA-ATE30-1 PMA-ATE36-1 PMA-ATE42-1 PMA-ATE48-1 PMA-ATE54-1	MA-ATE30-1 MA-ATE36-1 MA-ATE42-1 MA-ATE48-1 MA-ATE54-1	AT-14-1 AT-16-1 AT-18-1 AT-20-1	HBE-ATE30-1 HBE-ATE36-1 HBE-ATE42-1 HBE-ATE48-1 HBE-ATE54-1			AS-ATEM148POS AS-ATEM168POS AS-ATEM188POS AS-ATEM208POS	"0.050" Hex screwdriver	AS-ATEM1408A-1 AS-ATEM1608A-1 AS-ATEM1808A-1 AS-ATEM2008A-1	25 Ncm
	Astra Tech Implant System Profile EV	4.2 4.8	IO 3C-A IO 3C-B	PMA-ATE42P-1 PMA-ATE48P-1	MA-ATE42P-1 MA-ATE48P-1	AT-18-1 AT-20-1							
	Astra Tech Implant System UniAbutment EV	UA33°	IO 3D-A	PMA-AUE33-1	MA-AUE33-1	AT-18-1		HBN-AUE33-1	HBN-AUE33H-1			AS-AUEM1805A-1	15 Ncm
	Xive®	3.0 3.4 3.8 4.5 5.5	IO 8A-A IO 8A-B IO 8A-C IO 8A-D IO 8A-D	PMA-DXI30-1 PMA-DXI34-1 PMA-DXI38-1 PMA-DXI45-1 PMA-DXI55-1	MA-DXI30-1 MA-DXI34-1 MA-DXI38-1 MA-DXI45-1	AT-14-1 AT-16-1							
NEOSS	Neoss® Access Abutment		IO 1B-A	PMA-NAC40-1	MA-NAC40-1	AT-20-1							
	Neoss Implant System	3.25 3.5-5.5	IO 1A-B IO 1A-A	PMA-NIS33-1 PMA-NIS35/55-1	MA-NIS33-1 MA-NIS35/55-1	AT-16-1 AT-20-1							
	Brånemark System	3.3/3.5 NP 3.75/4.0 RP 5.0/5.5 WP	IO 6A-A IO 6A-B IO 6A-C	PMA-BRA35-1 PMA-BRA41-1 PMA-BRA51-1	MA-BRA35-1 MA-BRA41-1 MA-BRA51-1	AT-16-1 AT-20-1 AT-25-1	HBE-BRA35-1 HBE-BRA41-1 HBE-BRA51-1	HBN-BRA35-1 HBN-BRA41-1 HBN-BRA51-1		AS-BRAM167POS AS-BRAM207POS AS-BRAM257POS	Nobel Biocare Unigrip	AS-BRAM1607A-1 AS-BRAM2007A-1 AS-BRAM2507A-1	35 Ncm
	Nobel Biocare® Conical Connexion and NobelActive®	3.0 3.5/3.75 NP 4.3/5.0 RP 5.5 WP	IO 2B-D / SA IO 2B-A / SA IO 2B-B / SA IO 2B-C / SA	PMA-NBA30-1 PMA-NBA35-1 PMA-NBA43-1 PMA-NBA60-1	MA-NBA30-1 MA-NBA35-1 MA-NBA43-1 MA-NBA60-1	AT-14-1 AT-16-1 AT-20-1	HBE-NBA30-1 HBE-NBA35-1 HBE-NBA43-1 HBE-NBA60-1	HBE-NBA35H-1 HBE-NBA43H-1 HBE-NBA60H-1	HBN-NBA35-1 HBN-NBA35H-1 HBN-NBA43/50-1 HBN-NBA43/50H-1 HBN-NBA60-1	AS-NBAM1407POS AS-NBAM168POS AS-NBAM207POS	Nobel Biocare Unigrip	AS-NBAM1407A-1 AS-NBAM1608A-1 AS-NBAM2007A-1	15 Ncm 35 Ncm
	Nobel Biocare® Multi-Unit Abutment	NP/RP WP	IO 2C-A IO 2C-B	PMA-MUA45-1 PMA-MUA60-1	MA-MUA45-1 MA-MUA60-1	AT-14-1 AT-18-1			HBN-MUA45-1 HBN-MUA45H-1 HBN-MUA60-1	AS-MUAM1403POS AS-MUAM1804POS		AS-MUAM1403A-1 AS-MUAM1804A-1	15 Ncm
	NobelReplace®	3.5 NP 4.3 RP 5.0 WP 6.0	IO 2A-A IO 2A-B IO 2A-C IO 2A-D	PMA-NBR35-1 PMA-NBR43-1 PMA-NBR50-1 PMA-NBR60-1	MA-NBR35-1 MA-NBR43-1 MA-NBR50-1 MA-NBR60-1	AT-18-1 AT-20-1	HBE-NBR35-1 HBE-NBR43-1 HBE-NBR50-1 HBE-NBR60-1	HBE-NBR35H-1 HBE-NBR43H-1	HBN-NBR35-1 HBN-NBR35H-1 HBN-NBR43-1 HBN-NBR43H-1 HBN-NBR50-1 HBN-NBR60-1	AS-NBRM1808POS AS-NBRM2010POS	Nobel Biocare Unigrip	AS-NBRM1808A-1 AS-NBRM2010A-1	35 Ncm
STRAUMANN	Straumann® Bone Level	3.3 NC 4.1/4.8 RC	IO 4A-A IO 4A-B	PMA-SBO33-1 PMA-SBO41-1			HBE-SBO33-1 HBE-SBO41/48-1	HBE-SBO33H-1 HBE-SBO41/48H-1	HBN-SBO33-1 HBN-SBO41/48-1	AS-SBOM1608POS	SCS screwdriver	AS-SBOM1608A-1	35 Ncm
	Straumann® Screw-retained Abutment	3.5 4.6	IO 4D-A IO 4D-B	PMA-SSA35-1 PMA-SSA46-1	MA-SSA35-1 MA-SSA46-1	AT-14-1			HBN-SSA35-1 HBN-SSA46-1 HBN-SSA35H-1 HBN-SSA46H-1			AS-SSAM1404A-1	15 Ncm
	Straumann® Standard and Standard Plus	3.5 NNC 4.8 RN 6.5 WN	IO 4C-A IO 4B-A IO 4B-B	PMA-SSY48-1 PMA-SSY65-1	MA-SSY48-1	AT-20-1	HBE-SSY48-1 HBE-SSY65-1	HBE-SSY48H-1 HBE-SSY65H-1	HBN-SSY48-1 HBN-SSY65-1	AS-SSYM207POS	SCS screwdriver	AS-SSYM2007A-1	35 Ncm
ZIMMER BIOMET	Certain® Internal Connection	3.4 4.1 5.0 6.0	IO 7B-A IO 7B-B	PMA-BCE34-1 PMA-BCE41-1 PMA-BCE50-1 PMA-BCE60-1	MA-BCE34-1 MA-BCE41-1 MA-BCE50-1 MA-BCE60-1	AT-16-1	HBE-BCE34-1 HBE-BCE41-1 HBE-BCE50-1 HBE-BCE60-1			AS-BCEM168POS	"0.050" (1.25 mm) Hex screwdriver	AS-BCEM1608A-1	20 Ncm
	External Hex Connection	3.4 4.1 5.0 6.0	IO 7A-A IO 7A-B	PMA-BEH34-1 PMA-BEH41-1 PMA-BEH50-1 PMA-BEH60-1	MA-BEH34-1 MA-BEH41-1 MA-BEH50-1 MA-BEH60-1	AT-20-1							
	Tapered Screw-Vent® Implant	3.5 4.5 5.7	IO 5A-A IO 5A-B IO 5A-C	PMA-ZSV35-1 PMA-ZSV45-1 PMA-ZSV57-1	MA-ZSV35-1 MA-ZSV45-1 MA-ZSV57-1	AT-18-1	HBE-ZSV35-1 HBE-ZSV45-1 HBE-ZSV57-1		HBN-ZSV35-1 HBN-ZSV45-1 HBN-ZSV57-1	AS-ZSVM1808POS	"1.25 mm Hex screwdriver"	AS-ZSVM1808A-1	30 Ncm

US FDA clearance pending (for HBE, HBE-H, HBN, HBN-H)

Instruments on next page

021.102 ver 12

Elos Accurate® Instruments

Elos Accurate® Scan Body Driver					
	C13048	C13485	C18512		
Elos Accurate® Model Analog Tool					
	AT-14-1	AT-16-1	AT-18-1	AT-20-1	AT-25-1
Elos Accurate® Analog Pliers					
	PMA-AIT-1				
Elos Accurate® Analog Insertion Pin					
	PMA-AIP-2				
Elos Accurate® Analog Insertion Screw					
	PMA-AIS-5				
Elos Accurate® Prosthetic Screwdriver					
	PS-AH18-1	PS-AH26-1	PS-AH34-1		
Elos Driver					
	C8381	C8382	C8830		
Elos Torque Wrench Kit					
	TW-45-1		TW-70-1		

